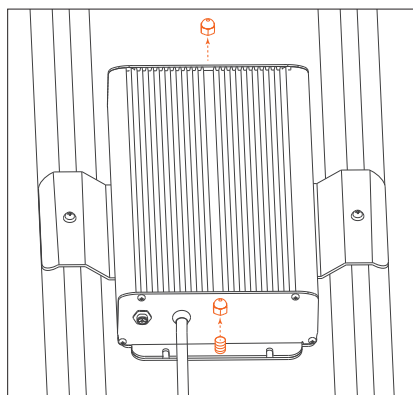


TROUBLE SHOOTING

Problem	Probable cause(s)	Possible fixes or corrective maintenance
One or more fixtures are completely off.	Disconnect from power source.	Make sure power is on and cables are plugged in.
Dimming failure	Broken cable or wire connecting controller to fixture or wire connecting fixture to fixture.	Repair or replace any damaged cables if necessary.
LED will not come on.	The power supply settings do not match with local AC voltage and frequency.	Disconnect fixture from the power supply. Check settings and correct if necessary.

SCOPE OF USE AND MAINTENANCE

- Comply with local installation regulations.
- Store the fixture in a dry and clean environment, with an ambient temperature of $-10^{\circ}\text{C} \sim 50^{\circ}\text{C}$ and ambient humidity of less than 90% RH. It is recommended that the fixture shall not stay unused for more than six months. If it has stayed unused for more than six months, please test to ensure fixture is functioning at 100%.
- Please keep products safe. Avoid mechanical pressure, excessive vibration and dropping the unit during the process of assembly to protect the light bar and track.
- Keep away from water, oil and organic solvent, or it will reduce the efficacy and have the potential risk of electric leakage.
- All equipment, devices and machines shall be effectively grounded.
- Regularly check and clean the dust from LED array.
 - Disconnect from power supply before general care.
 - Remove the dust from the light bar by using low-pressure compressed air.
 - Clean the diode array with a soft cloth to prevent it from being scratched.
 - Be sure not to touch the diode with your bare hands, even after the LED is disconnected from power supply.
- It is recommended that you contact a licensed electrician or an expert if any of the following happens:
 - The cable or the plug has been damaged.
 - The unit has been exposed to rain.
 - Significant changes in the unit performance.
 - Fixture or light bar dropped and corner of its enclosure got bent.
- There are no serviceable parts inside the LED. Opening the LED will void its warranty.
- In case of individual light bar damaged and doesn't work, you can press the +/- key according to the number of remaining working light bars until the display screen shows the correct number, so as to achieve the effect of normal work.
- As for sales service, you're suggested to purchase our LED driver to replace it according to the following steps:
 - Disconnect the mains first.
 - Disconnect wires at both ends of the LED driver (reverse operation Fig.d).
 - Unscrew 2 screws on the support frame 2 at both ends of the LED driver (Fig.i), and then take out the damaged LED driver.
 - Install new LED driver on the support frame 2 by following the above opposite procedures.

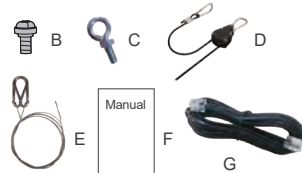
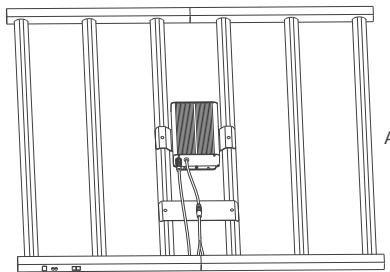


-04-

WARRANTY

Nanolux warrants manufacturing defects of this product if it is used under normal operating conditions for a period of five (5) years from the original date of purchase. If the product shows manufacturing defects within this period and that defect is not caused by user error or improper use, Nanolux shall, at its discretion, either replace or repair the product by using applicable new or refurbished parts. For any service, return the product to your shop along with the **original sales receipt**.

PRODUCT PACKING LIST

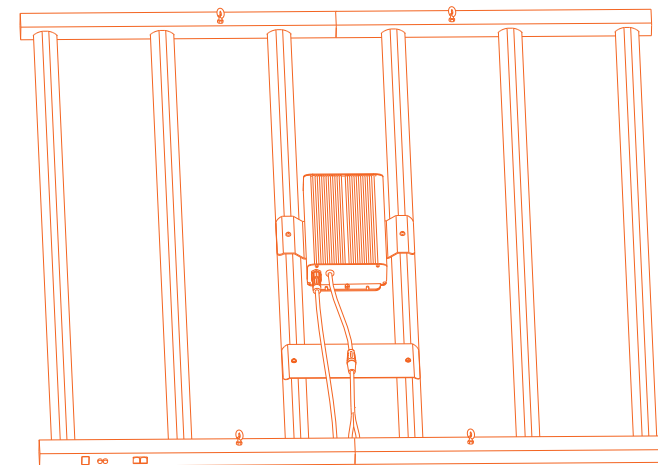


	Name	Quantity
A	Folding Fixture	1
B	M4*8 Screw	4
C	Ring Bolt	4
D	YOYO Feed Rope	2
E	Steel Wire	2
F	Operating Manual	1
G	Telephone Wire	1

OPERATING MANUAL

LEDzx Modular design

Folding Fixture
NCCS-0-10V COMPATIBLE



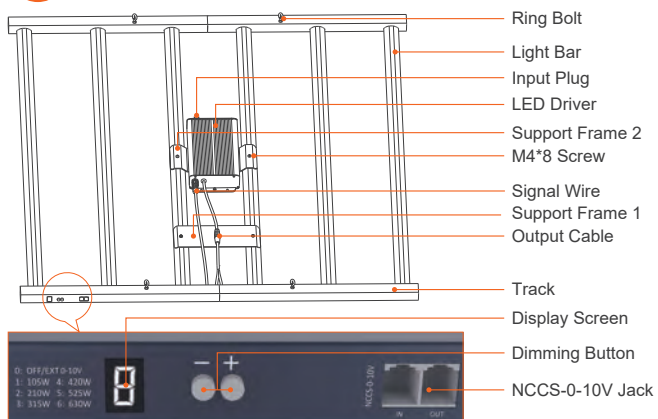
PATENTED PRODUCTS, COUNTERFEITING NOT ALLOWED.
Designed by NANOLUX in California
Made in China

NANOLUX

PLEASE READ THESE INSTRUCTIONS FIRST BEFORE INSTALLATION

Welcome to purchase and use this new Nanolux LED luminaire. We have done everything to ensure a product of long lifespan and safe operation, but the installation and use of the product is at the responsibility of the user. Incorrect use or installation can lead to failure and damage to the luminaire. Damage to the luminaire or electronic circuitry as a result of incorrect installation or use will revoke your warranty. Read this manual carefully before installing your luminaire.

ABOUT PRODUCT



NOTE: If a bar goes out, please lower the bar number setting to the correct number of bars operating to adjust power supply output.

LEDx Display Screen and Dimming Button Function

Function 1-Dimming		Function 2 Protect working bars		
Setting Display Screen Numbers	LED Working Wattage	Failure Bar Quantity	LED Working Wattage	Setting Display Screen Numbers
Set to 6	630W	1	525W	Set to 5
Set to 5	525W	2	420W	Set to 4
Set to 4	420W	3	315W	Set to 3
Set to 3	315W	4	210W	Set to 2
Set to 2	210W	5	105W	Set to 1
Set to 1	105W			

TECHNICAL SPECIFICATIONS

Model	LEDx F630
Input Voltage	AC120V/208V/240V/277V
Light Bar Input Power	630W
PPF	1700μmol/s
Spectrum	Full Spectrum
Dimension / Weight	47.2x45.3x2.4inch / 19.4lbs 1200x1150x60mm / 8.8kgs
Dimming	0: OFF/EXT 0-10V, 1: 105W, 2: 210W, 3: 315W, 4: 420W, 5: 525W, 6: 630W, 0-10V compatible
Light Distribution	120°
Lifetime	≥ 50,000hrs

* Subject to change without notice, Tolerance ±10%.

NOTE: This fixture can only be operated with the Nanolux LEDx 630w power supply. Do not substitute.

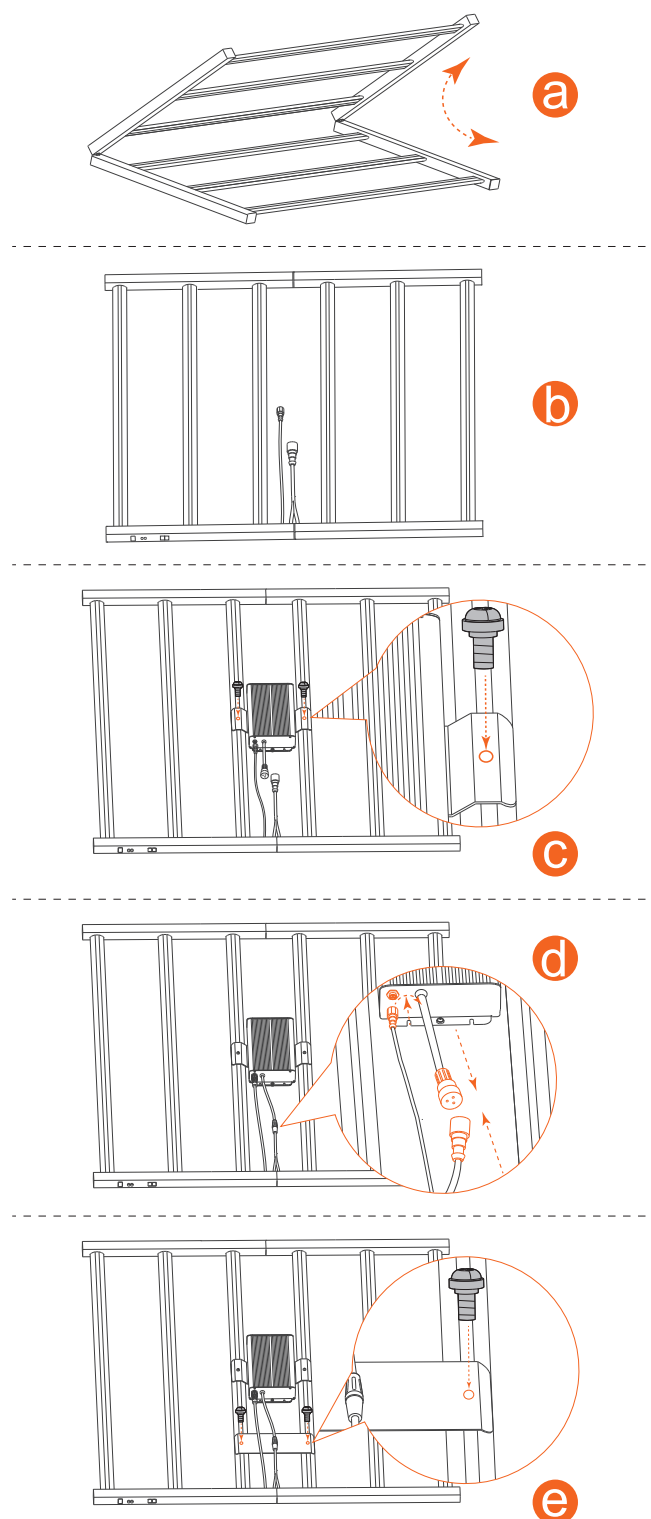
ASSEMBLY INSTRUCTIONS

The power rate of the light bars (105W~630W) can function when the external gear button is pressed to the corresponding gear. It is recommended that you keep a mounting height of 6"-12" (15.2cm-30.4cm) above canopy for optimal light efficiency and uniformity. Growers should regularly monitor the temperature at the canopy level to ensure the height of the fixture is appropriate, as canopy temperature and ambient room temperature can differ.

Steps:

1. First take support frame 1 and 2 with LED driver out of the folding fixture.
2. Unfold the fixture track (Fig.a) and place it on a sturdy and flat surface with the diode array facing downward (Fig.b).

3. Place the fixture support frame 2 with LED driver on the middle two light bars and align its two holes in each side with the corresponding screw holes on the light bars, then tighten them with two M4*8 screws (Fig.c).
4. Connect the LED driver and fixture track with output cable and signal wire (Fig.d).
5. Place the fixture support frame 1 on the middle two light bars and align its two holes in each side with the corresponding screw holes on the light bars, then tighten them with two M4*8 screws (Fig.e).

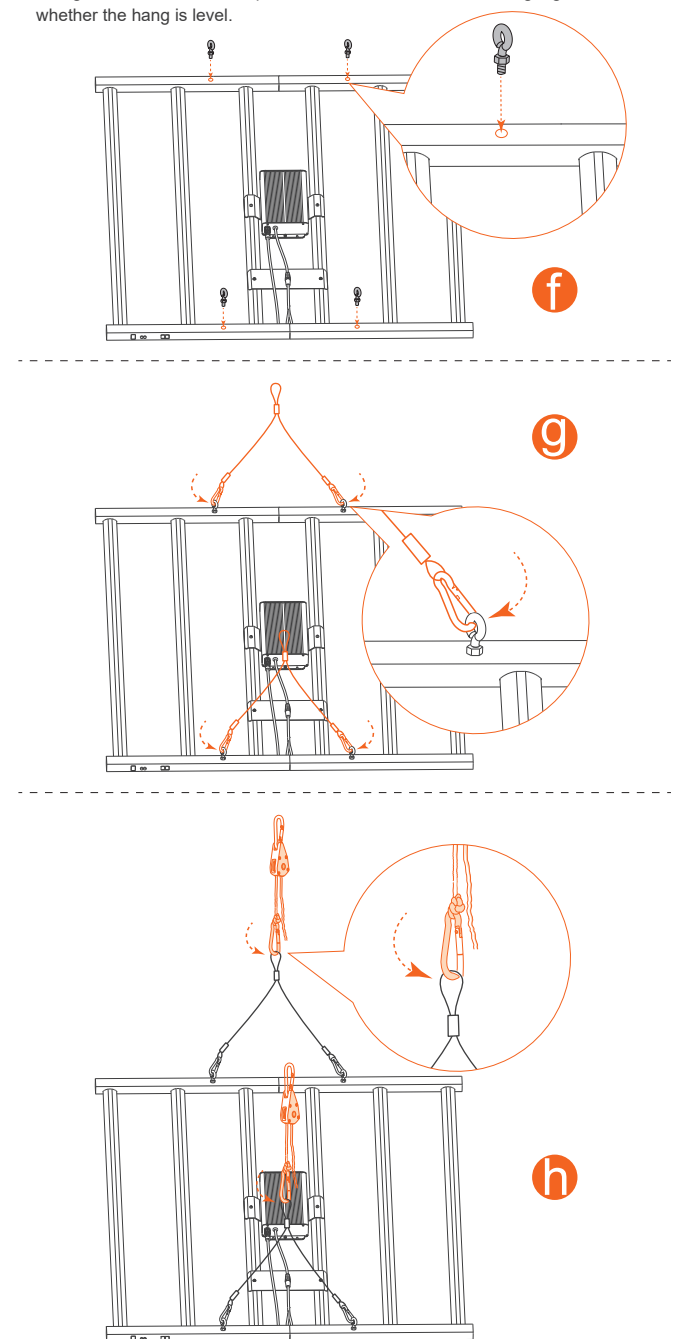


ALWAYS COMPLY WITH LOCAL INSTALLATION REGULATIONS AND CODES

The fixture is suitable for indoor environment. Do not install your fixture in wet or outdoor environment. Do not operate the fixture close to combustible materials. The fixture will get hot during operation. Do not touch the fixture during or right after operation. Make sure the power cord does not touch any hot part of the fixture. Make sure the light bars are clean and inserted correctly. The normal operating environment temperature should be below 104°F. Exceeding the maximum environmental temperature will stress electronic components, which will lead to shorter lifetime and decreased reliability.

Fixture Hanging

1. Insert four ring bolts into the track and screw them (Fig.f).
2. Attach the carabiners from the steel wire hangers (optional) to the ring bolt on the track (Fig.g).
3. Attach the carabiners from the YOYO feed rope hangers (optional) to the steel wire (Fig.h).
4. Hang the fixture in the required location. Please use level gauge to measure whether the hang is level.



0-10V DIMMING

This model is compatible with SLC & NCCS-0-10V. When using SLC & NCCS-0-10V function, the display screen should show 0.

Insert telephone wire into the jack of the SLC & NCCS-0-10V controller, and then Dimming function on the LED fixture is enabled.

- Maximum of 120 units can be controlled by SLC.
 - Simulate sunrise and sunset for dimming.
 - Turn off the device automatically following the setting time and temperature.
- In & Out jacks included on the Track allows for multi-fixtures connected in parallel.

CAUTION: ⚠️ ⚠️ ⚠️

After installation, verify if installation was a success by cycling the lights on / off a few times, setting 'over temperature shut down' to a low value like 85°F, and rubbing the temperature probe with your fingers, tricking the SLC controller into an over temperature condition and shutting the lights off. Then leave the probe alone, and after 10-15 minutes as recommended, the SLC controller should turn all the lights back on.

For detailed instructions, please refer to SLC controller operating manual.