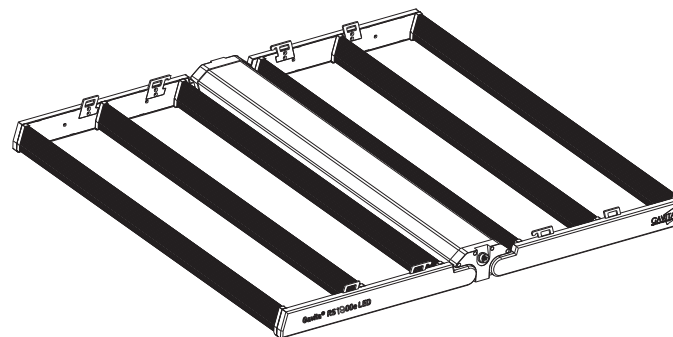
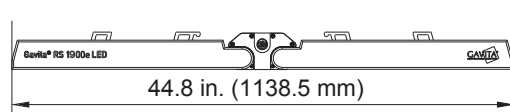
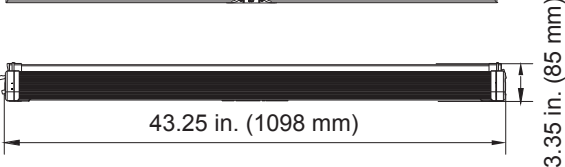
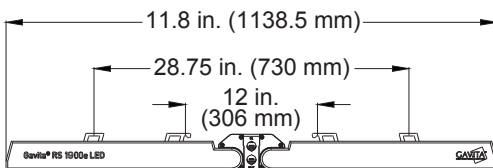
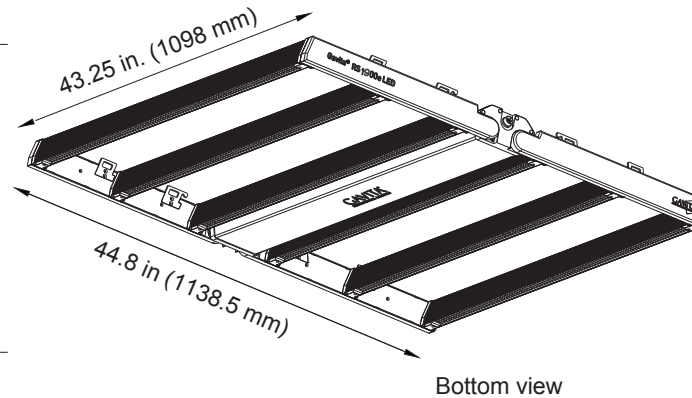
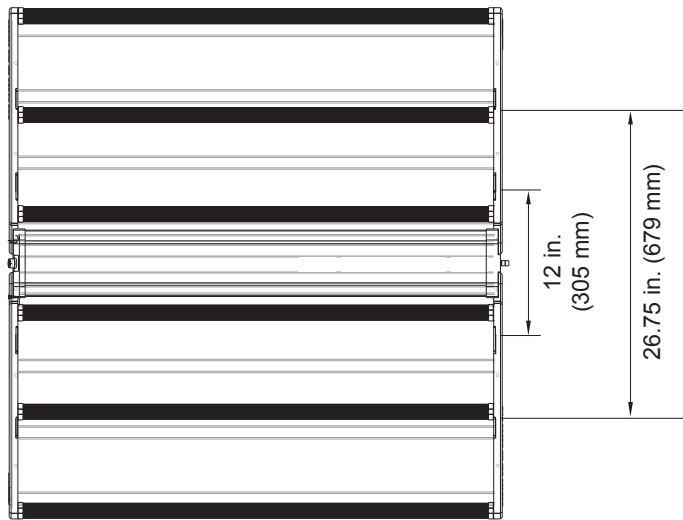


Gavita® RS 1900e LED 208-480 V

Item #HGC906410



SPECIFICATIONS



Top view



INPUT VOLTAGE: 208-480 V	
INPUT WATTS: 650 W	
HEAT LOAD: 2,724 btu/hr*	
CURRENT: 3.12 - 1.35 A	
FREQUENCY: 50/60 Hz	
POWER FACTOR (cosφ): > 0.99	
AMBIENT TEMP: 104° F (0-40° C)	
ENVIRONMENTAL RATING: IP66	
MOUNTING: Wire Hangers and Gavita® Rail System Hanging Bracket	
WEIGHT: 27.5 lb	DIM: 44.8 in x 43.25 in x 3.3 in
CERTIFICATIONS: Conforms to ANSI/UL STD 1598. Certified to CSA STD C22.2 No. 250.0. Conforms to ANSI/CAN/UL STD 8800.	
WARRANTY: 5 Years**	

*Please consult HVAC Expert to calculate total heat load in your grow space.

**When purchased from an authorized Hawthorne dealer, this product is covered by a LIMITED WARRANTY, available at hawthornegc.com/warranties. You can also obtain the Terms of Sale and Limited Warranty by calling Hawthorne toll-free at: 1-888-478-6544 or writing Hawthorne at: Hawthorne Hydroponics LLC, 800 Port Washington Blvd. Port Washington, NY 11050, Attn: Customer Service.

HGC906410 Gavita® RS 1900e LED 208-480V Spec-Sheet- Last Updated 2/30/2016



This document is not intended to be used for installation purposes. We cannot cover all specific applications or anticipate all requirements. All specifications are subject to change without notice.

HawthorneGC.com | Canada: HawthorneGC.ca