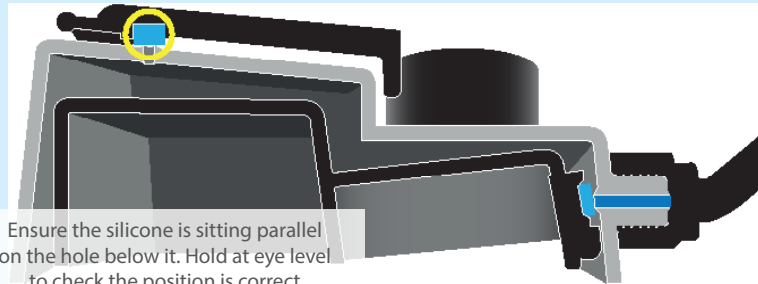




Simple care guidelines



Your GeoPot 6 System Setup Guidelines



Ensure the silicone is sitting parallel on the hole below it. Hold at eye level to check the position is correct

Ensuring that the AQUAvalve5 floods and drains correctly

- 1 Making sure your AQUAvalve5 floods and drains correctly is simply achieved and only takes a few seconds.
- 2 Hold the AQUAvalve5 at eye level so that you can see the silicone fitted to the top float resting on the hole below it.
- 3 The silicone must create a tight seal when touching the hole.
- 4 If it looks like it is not sitting parallel on the hole below, simply lift the top float and apply pressure to one side of the silicone, drop the float and hold at eye level again. Repeat the procedure if necessary.

Care and maintenance

- 1 At the end of your growing season, clean the AQUAvalve5 using warm soapy water. Using an old tooth brush will help.

The AQUAvalve5 is easily disassembled. The top float will slide all the way across and the bottom float is unclipped from its pivoting position. The circular discs fitted to the top float can also be removed by using pliers to grip the raised point.

At this point is it advisable to remove the silicones to avoid them being lost.
- 2 It is also handy to have a paper clip or pipe cleaner to hand so that you can push it through the AQUAvalve5 nozzle, this will remove any lime scale build up that may have occurred during the growing season.

Blowing through the AQUAvalve5 nozzle will also help to remove any build up. Do not under any circumstances use a drill & drill bit to clear the AQUAvalve5 nozzle.

This will potentially damage the AQUAvalve5 beyond repair.



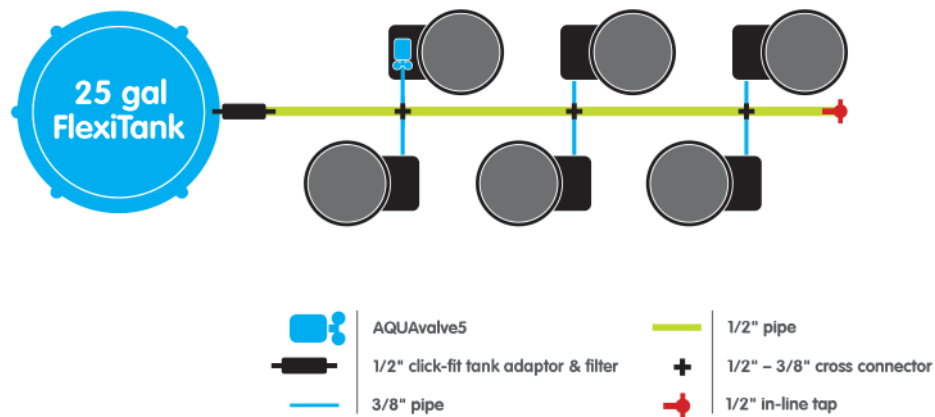
GeoPot 6 System contents

- 1x 25 gal FlexiTank
- 6x 1Pot XL tray and lid
- 6x 3 gal or 5 gal GeoPot
- 6x AQUAvalve5
- 6x 3/8" top hat grommet
- 1x 1/2" tank adaptor and filter
- 1x 1/2" in-line tap
- 3x 1/2" - 3/8" cross connector
- 10ft of 1/2" pipe
- 10ft of 3/8" pipe
- 6x PotSock Round

Plan views and options

Suggested layouts

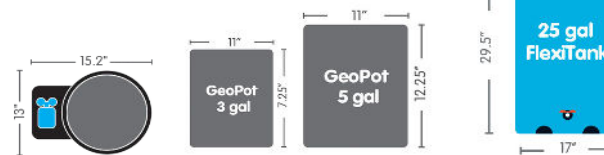
System requires minimum 25 gal FlexiTank (supplied)



Advice

- Please note that multiple GeoPots may increase room humidity due to the exposed surfaces of the fabric pots.
- Pot up your plants, water through, then allow your plants to establish in the pots for a period of 7 to 10 days before turning your system on. This will encourage a stronger and healthier root system.
- Always raise your reservoir to a minimum of 6" above the highest AQUAvalve5 and re-fill the reservoir when there is approximately a 1/3 of the solution left - NEVER ALLOW THE RESERVOIR TO RUN EMPTY.
- With AQUAvalve5 systems mineral or organic fertilisers may be fed via the reservoir and pipework. Organic fertilisers will require a water pump in the reservoir running for 15 mins every 2 hrs and cleaning of the reservoir, pump, and filter each time the reservoir empties. Flush pipework with plain water every time the reservoir empties.
- Clean all substrate from the bottom and sides of the pots before placing in each tray. This will ensure your system is clean from the start.
- Always use free draining substrates, for example: soil/perlite, coco/perlite, soil/clay pebbles, coco/clay pebbles, rockwool/clay pebbles.

GeoPot 6 dimensions



GeoPot 6 System setup instructions

- Fill GeoPot with medium and pot up plants.
- Fit PotSock over the base of GeoPot
Water through pot and allow to drain outside the tray. Brush off debris.
- From the outside of the module tray push the 3/8" top hat grommet into the hole in the module tray wall.
- Thread approx 12" of 3/8" pipe into the tray through the grommet.
Wetting the pipe end will aid insertion.
- Remove AQUAvalve collar
Push 3/8" pipe through collar and attach to AQUAvalve nozzle
Rescrew collar - DON'T overturn... when you feel it grip STOP
- Remove any slack in the 3/8" pipe by drawing excess out of the tray.
- Align the 'half moon' section on the rear of the AQUAvalve with the 'T' section in the tray.
Firmly push the AQUAvalve onto the 'T'.
- Cut 3/8" / 1/2" pipe to appropriate length
- According to the size of your system connect your 3/8" / 1/2" pipe to relevant fitting or tank...
- Place GeoPot in tray.
Ensure NO FABRIC IS TOUCHING AQUAVALVE
Place lid over valve onto tray.

Using your front instruction sheet, repeat the module set up instructions for the number of trays.

Allow your plants to establish for 7-10 days before turning system on

Advice

If you require any guidance email - info@autopot-usa.com