

DC FLEX DIMMING

Wiring System (M12 Connector)



BY OSRAM

MODULAR 0-10V DC DIMMING WIRING SYSTEM FOR FLUENCE LED LIGHT FIXTURES

FEATURES

- Dramatic pre-wire, installation, and clean-up time and labor cost savings over traditional DC light fixture control wiring
- Plug-and-play connectors for error-free installation and easy maintenance
- Secure and reliable connections
- Suitable for wet locations
- 1 year limited warranty

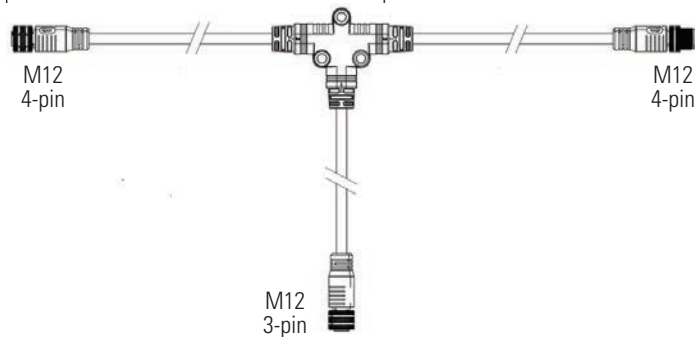


DC FLEX WIRING SYSTEM COMPONENTS

T-CONNECTOR CABLE

Connects Main Trunk to Power Supply of Light Fixtures

1-T 5 ft & 10 ft | 4-T 20 ft



TRUNK EXTENSIONS

Extends length of T-Connector Trunk

5 FT | 12 FT



TRUNK TERMINATION

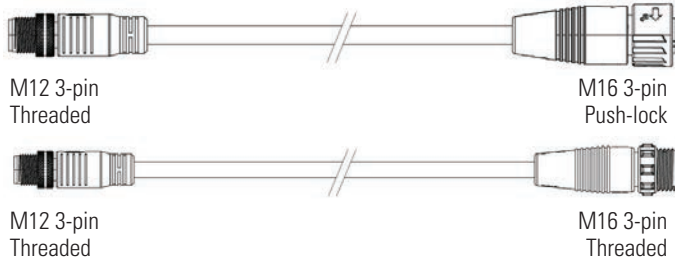
Ends the Trunk Cable Run at the Last Fixture with or without a Shield Ground to the Power Supply



ACCESSORIES

ADAPTERS

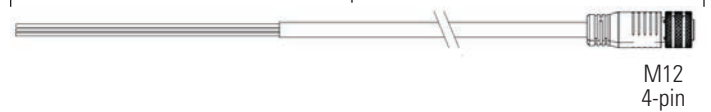
Adapts a Power Supply with Push-Lock or Threaded M16 Dimming Port to DC Flex M12



PIGTAIL TRUNK EXTENSION

Begins the Modular Wire Run at the Dimmer or Controller

5 ft | 75 ft



Contact **FLUENCE**

support@fluence.science

www.fluence.science

DC FLEX DIMMING

Wiring System (M12 Connector)



ORDERING CODE LEGEND

DESCRIPTION	Product	Current	Region	-	Part NO.	-	Packing QTY.
	C - Cable	DM - DC Dimming	A - Americas	-	Part NO.	-	01 05 10
EXAMPLE	CDMA			-	71557	-	10

ORDERING INFORMATION

System Compatibility	Ordering Code	Description	Cable Length	Max DC Voltage Rating	Max DC Current Rating	Connector End 1	Connector End 2	Connector T Drop End	Cord Type	
Light Fixture with PSU2 power supply	CDMA-71558-01	4-T Cable 20FT	20.0 ft 6096 mm	12V	7A	Threaded Female M12 4-pin	Threaded Male M12 4-pin	Threaded Female M12 3-pin	AWM UL 21996/UL 22190 2 x 20 AWG/ 0.5 mm ² , Plus Drain	
	CDMA-71557-10 CDMA-71557-01	1-T Cable 5FT	5.0 ft 1524 mm							
	CDMA-71556-05 CDMA-71556-01	1-T Cable 10FT	10.0 ft 3058 mm							
SPYDR 2 VYPR 2 with PSU1 or PSE2 power supply and 71566 adapter SPYDRx SPYDRx PLUS RAZRx RAZR 2,3,4 RAY with 71593 adapter	CDMA-71611-10 CDMA-71611-01	Pigtail Trunk Extension 5FT	5.0 ft 1524 mm	12V	7A	Threaded Female M12 4-pin	Pigtails	N/A		
	CDMA-71610-01	Pigtail Trunk Extension 75FT	75.0 ft 22860 mm				Pigtails			
	CDMA-71613-10 CDMA-71613-01	Trunk Extension 5FT	5.0 ft 1524 mm				Threaded Male M12 4-pin			
	CDMA-71612-05 CDMA-71612-01	Trunk Extension 12FT	12.0 ft 3658 mm				Threaded Male M12 4-pin			
	CDMA-71788-10 CDMA-71788-01	Trunk Termination WITH Shield Ground	42.0 in 1064 mm				Threaded Male M12 4-pin			Threaded Female M12 3-pin
	CDMA-71682-10 CDMA-71682-01	Trunk Termination WITHOUT Shield Ground	42.0 in 1064 mm				Threaded Male M12 4-pin			Threaded Female M12 3-pin
	CDMA-71566-10 CDMA-71566-01	Adapter DC Flex M12 to Push-Lock Female M16	6.0 in 152 mm				Threaded Male M12 3-pin			Push-lock Female M16 3-pin
	CDMA-71593-10 CDMA-71593-01	Adapter DC Flex M12 to Threaded Female M16	6.0 in 152 mm				Threaded Male M12 3-pin		Threaded Female M16 3-pin	



Contact **FLUENCE**
 support@fluence.science
 www.fluence.science

DC FLEX DIMMING

Wiring System (M12 Connector)



PACKAGE INFORMATION

Ordering Code	Package Qty	Weight	Length	Width	Height	HTS Tariff Code	
CDMA-71612-01	1	0.67 lb 0.30 kg	10.5" 267 mm	16.0" 407 mm	1.5" 39 mm	8536.69.8000	
CDMA-71613-01		0.29 lb 0.13 kg					
CDMA-71556-01		0.60 lb 0.27 kg					
CDMA-71557-01		1.30 lb 0.59 kg					
CDMA-71566-01		0.25 lb 0.11 kg					
CDMA-71682-01		0.23 lb 0.10 kg					
CDMA-71558-01		3.70 lb 1.68 kg					
CDMA-71611-01		0.27 lb 0.12 kg					
CDMA-71788-01		0.22 lb 0.10 kg					
CDMA-71593-01		0.16 lb 0.07 kg					
CDMA-71610-01		3.50 lb 1.59 kg					15.5" 394 mm
CDMA-71612-05	4.08 lb 1.85 kg						
CDMA-71556-05	6.30 lb 2.86 kg						
CDMA-71788-10	2.60 lb 1.18 kg	15.5" 394 mm	15.5" 394 mm	5.0" 127 mm			
CDMA-71613-10	3.40 lb 1.54 kg						
CDMA-71557-10	4.66 lb 2.11 kg						
CDMA-71566-10	2.43 lb 1.10 kg						
CDMA-71682-10	2.60 lb 1.18 kg						
CDMA-71611-10	4.19 lb 1.90 kg						
CDMA-71593-10	1.15 lb 0.52 kg				10.5" 267 mm	16.0" 407 mm	

MECHANICAL DRAWINGS

Ordering Code	Pin Config. End 1	Mechanical Drawing	Pin Config. End 2	Pin Config. T-Drop End
CDMA-71558-01	<p>M12/F 4-pin</p>		<p>M12/M 4-pin</p>	<p>M12/F 3-pin</p>



Contact **FLUENCE** @
 support@fluence.science @
 www.fluence.science @

DC FLEX DIMMING

Wiring System (M12 Connector)



MECHANICAL DRAWINGS

Ordering Code	Pin Config. End 1	Mechanical Drawing	Pin Config. End 2	Pin Config. T-Drop End
CDMA-71557-10 CDMA-71557-01	M12/F 4-pin Pin 1 Dim (-) Pin 2 NC Pin 3 Dim (+) Pin 4 NC		M12/M 4-pin Pin 1 Dim (-) Pin 2 NC Pin 3 Dim (+) Pin 4 NC	M12/F 3-pin Pin 1 Dim (-) Pin 3 Dim (+) Pin 4 NC
CDMA-71556-05 CDMA-71556-01	M12/F 4-pin Pin 1 Dim (-) Pin 2 NC Pin 3 Dim (+) Pin 4 NC		M12/M 4-pin Pin 1 Dim (-) Pin 2 NC Pin 3 Dim (+) Pin 4 NC	M12/F 3-pin Pin 1 Dim (-) Pin 3 Dim (+) Pin 4 NC
CDMA-71611-10 CDMA-71611-01	M12/F 4-pin Pin 1 Dim (-) Pin 2 NC Pin 3 Dim (+) Pin 4 NC		Red = Dim (+) Black = Dim (-) Bare Wire = Drain	N/A
CDMA-71610-01	M12/F 4-pin Pin 1 Dim (-) Pin 2 NC Pin 3 Dim (+) Pin 4 NC		Red = Dim (+) Black = Dim (-) Bare Wire = Drain	N/A
CDMA-71613-10 CDMA-71613-01	M12/F 4-pin Pin 1 Dim (-) Pin 2 NC Pin 3 Dim (+) Pin 4 NC		M12/M 4-pin Pin 1 Dim (-) Pin 2 NC Pin 3 Dim (+) Pin 4 NC	N/A
CDMA-71612-05 CDMA-71612-01	M12/F 4-pin Pin 1 Dim (-) Pin 2 NC Pin 3 Dim (+) Pin 4 NC		M12/M 4-pin Pin 1 Dim (-) Pin 2 NC Pin 3 Dim (+) Pin 4 NC	N/A
CDMA-71788-10 CDMA-71788-01	M12/M 4-pin Pin 1 Dim (-) Pin 2 NC Pin 3 Dim (+) Pin 4 NC		M12/F 3-pin Pin 1 Dim (-) Pin 3 Dim (+) Pin 4 NC	N/A
CDMA-71682-10 CDMA-71682-01	M12/M 4-pin Pin 1 Dim (-) Pin 2 NC Pin 3 Dim (+) Pin 4 NC		M12/F 3-pin Pin 1 Dim (-) Pin 3 Dim (+) Pin 4 NC	N/A
CDMA-71566-10 CDMA-71566-01	M12/M 3-pin Pin 1 Dim (-) Pin 3 Dim (+) Pin 4 N/C		M16/F 3-pin Pin 1 Dim (-) Pin 2 N/C Pin 3 Dim (+)	N/A
CDMA-71593-10 CDMA-71593-01	M12/M 3-pin Pin 1 Dim (-) Pin 3 Dim (+) Pin 4 N/C		M16/F 3-pin Pin 1 Dim (-) Pin 2 N/C Pin 3 Dim (+)	N/A



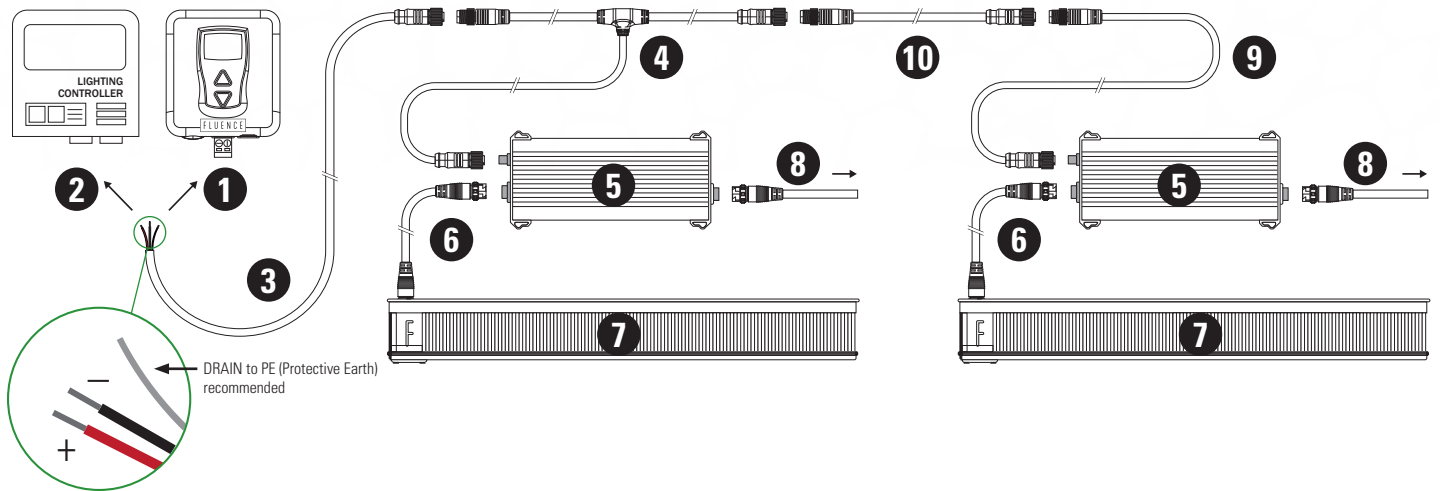
Contact [FLUENCE](mailto:support@fluence.science)
support@fluence.science
www.fluence.science

DC FLEX DIMMING

Wiring System (M12 Connector)



0-10V Dimmer Channel to Multiple Fluence LED Light Fixtures



COMPONENTS

- 1** Fluence Dimmer (C-W-U)
- 2** Third Party Light Controller/Dimmer
- 3** DC Flex Pigtail Trunk Extension
5 FT (CDMA-71611-10) or
75 FT (CDMA-71610-01)
- 4** DC Flex T-Connector Cable to Light Fixture
1-T 5 FT (CDMA-71557-10) or
1-T 10 FT (CDMA-71556-05) or
4-T 20 FT (CDMA-71558-01)
- 5** Power Supply for Light Fixture
- 6** DC Power Extension Cable to Light Fixture
- 7** Light Fixture
- 8** AC Power Cable to Power Supply
- 9** DC Flex Trunk Termination to last Light Fixture
WITH Shield Ground (CDMA-71788-10) or
WITHOUT Shield Ground (CDMA-71682-10)
- 10** DC Flex Trunk Extension
5 FT (CDMA-71613-10) or
12 FT (CDMA-71612-05)

Need assistance or have questions? Fluence will design your DC Flex Dimming Wiring System layout for you!

Contact us at: support@fluence.science



Maximum Quantity Connected Light Fixtures (per branch)	Maximum Distance First to Last Light Fixtures (per branch)
Up to 50 Light Fixtures	200-300 ft 61-91.5 m

NOTES

- A.** Connector Adapter (CDMA-71566-10) is required for PSU1 or PSE2 Power Supply with an M16 Push-Lock dimming port.
- B.** Connector Adapter (CDMA-71593-10) is required for RAZR 234, RAY, SPYDRx, and SPYDRx PLUS.
- C.** Refer to 3rd Party controller/dimmer manufacturer specifications and installation instructions for wiring details when using a controller/dimmer other than by Fluence.
- D.** The maximum quantity is up to 50 connected light fixtures per branch. The rated mA capacity of the light controller/dimmer used may support less fixtures per branch. Please refer to the light controller/dimmer specifications for the application.
- E.** A single point of shield grounding to earth is recommended. This is accomplished by installing a grounded termination cable (CDMA-71788-10) to the last fixture in the channel (see # 9). Only the DIM (+) and DIM (-) wires are connected at the leader cable, and the drain wire of the leader cable must be cut. If the ungrounded termination cable (CDMA-71682-10) is used, then connect the drain wire of the leader cable to PE (Protective Earth).

Contact **FLUENCE** @
support@fluence.science
www.fluence.science